



Project _____
 Item # _____
 Quantity _____

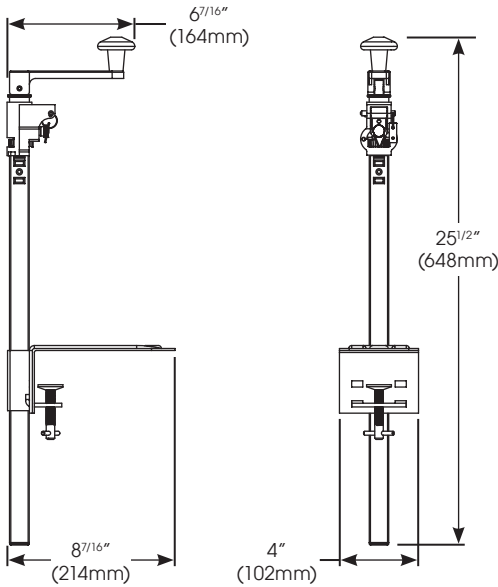
Premium Manual Can Opener

Model: CO-3N

Our premium European-made heavy-duty nickel plated can opener is fitted with a removable clamp, making it ideal for on-the-go operations that require flexibility. The rust-resistant stainless steel blade and gear opens various can sizes up to #10.

Standard Features

- ◆ Easily disassembles for increased sanitation
- ◆ Heavy-duty nickel-plated steel construction
- ◆ Rigid universal mounting base for permanent screw down or portable clamp down installation to wooden or stainless steel work tables
- ◆ 19" (483mm) long body pierces any size can up to 16" (407mm) tall
- ◆ Quick change dual-sided tempered knife blade and stainless steel gear
- ◆ NSF listed
- ◆ One year parts and labor warranty



Parts & Accessories

CO-3N-GA	Gear Assembly
CO-3G	Gear
CO-3N-KP	Key Pin Assembly
CO-3N-BH	Blade Holder
CO-3N-TS	Thumb Screw and Washer
CO-3N-B	Blade
CO-3N-PB	Base Plate with Fixing Screw

MODEL	DESCRIPTION	OVERALL DIMENSIONS			BOX DIMENSIONS			SHIP WEIGHT
		LENGTH	DEPTH	HEIGHT	LENGTH	DEPTH	HEIGHT	
CO-3N	Premium Manual Can Opener	8-7/16" (214mm)	4" (102mm)	25-1/2" (648mm)	26-3/8" (670mm)	6-3/4" (171mm)	3-5/8" (91mm)	5.5 lbs (2.5 kg)

Product Specs

Premium Manual Can Opener

The Premium Manual Can Opener model CO-3N as manufactured by Winco®, Lodi, NJ 07644.

The Premium Manual Can Opener shall be constructed of heavy-duty nickel plated steel with a quick change dual-sided tempered knife blade. The sturdy base can be screwed or clamped down for installation. The unit opens cans up to 16" (407mm). Units are NSF listed. One year parts and labor warranty included.

For California Customers

WARNING: Cancer and Reproductive Harm - www.P65Warnings.ca.gov

New Jersey: 888-946-2682
 Florida: 786-536-4656
 California: 888-946-2652

equipsales@wincous.com www.wincous.com

• Lodi, New Jersey
 • Miami, Florida
 • La Mirada, California