

Item # \_\_\_\_\_

Qty # \_\_\_\_\_

Model # \_\_\_\_\_

Project # \_\_\_\_\_



# DUKERS

Quality Commercial Refrigeration



## HOT PLATE EIGHT BURNER DCHPA48



Catch Tray



Surface



Legs



### PRODUCT DESCRIPTION

- ✦ Stainless steel exterior and interior.
- 🔥 28,000 BTU stainless steel burners with standby pilot.
- 🍳 Lift-off cast iron burner.
- 📏 Independent manual controls every 12".
- ❄️ "Cool-to-the-touch" front s/s edge.
- 📊 Each hot plate is shipped with Standard Natural Gas, LP conversion kit.
- 📏 Adjustable, stainless steel legs standard.
- 🧼 Full length seamless drip pan, easy to remove and clean.



### HIGH QUALITY STAINLESS STEEL & ROBUST DESIGN

HOT PLATE  
MODEL

DIMENSION

Width    Depth    Height

DCHPA48

48 in    28 3/4 in    13 3/8 in



# DUKERS

Los Angeles | San Francisco | Dallas  
Houston | Florida | Chicago | New Jersey

📞 1-800-931-8628

@ info@dukersusa.com

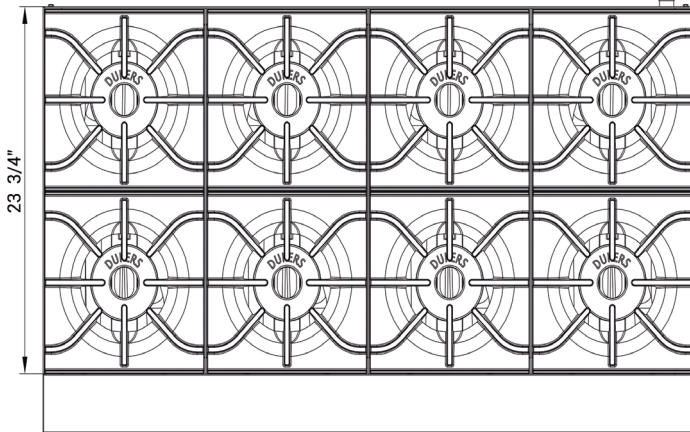
www.DukersUSA.com

# DETAILS & SPECIFICATIONS

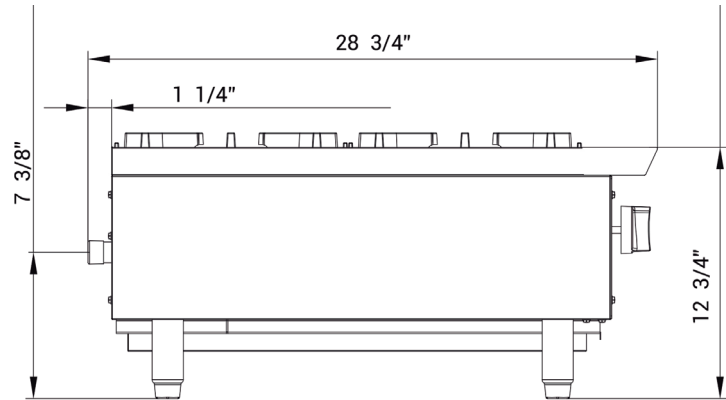
## HOT PLATE DCHPA48

Top View

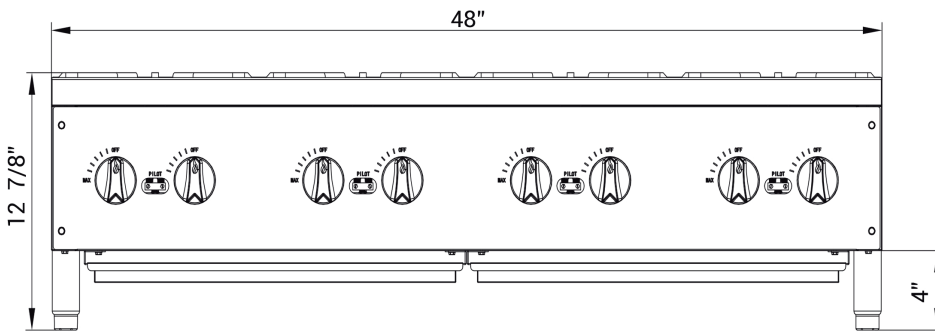
3/4" NPT Gas Inlet



Side View



Front View



### DCHPA48

GAS SOURCE	NG/Propane
WORK AREA	47.80x23.62in
BURNER	8 count
SINGLE BURNER	28000 BTU/H
COMBINED	224000 BTU/H
GAS PRESSURE	NG: 4 "WC Propane: 10 "WC
NOZZEL	NG: 40# Propane: 52#

Model	Packaging Dimensions (inches)			Net Weight (lbs)	Ship Weight (lbs)
	W	D	H		
DCHPA48	50 1/4"	32 5/8"	17 3/4"	198.42	264.56



Los Angeles | San Francisco | Dallas  
Houston | Florida | Chicago | New Jersey

1-800-931-8628

@ info@dukersusa.com

www.DukersUSA.com