

Project _____

Item Number _____

Quantity _____

MG32



Meat Grinder

Models:

➤ **MG32**

Standard Accessories:

- AISI 304 Stainless steel construction
- Stainless steel self- sharpening knife and plate system
- Product pusher
- Worm and plate removing tool

Meat Grinder

Features:

- Powerful 4 HP three phase motor
- Oil- bath, water protected gear box
- Designed for high performance
- Machine works perfectly even if product is processed two or more times.
- Tempered steel worm pin
- Grinding set is quickly disassembled for faster cleaning and sanitation
- Square feeding "neck" allows for faster processing cycles
- Large feeding hopper with safety microswitch
- 700-1100Kg/hr of production.

Optional Features:

- Stainless steel splash guard
- Wide selection of plates
- Foot pedal operation switch

Univex Corporation

Warranty:

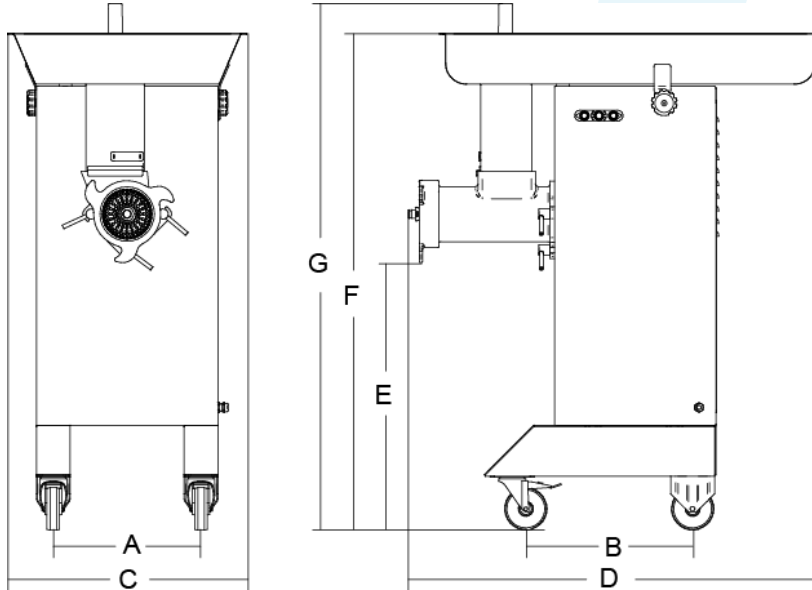
- One year, on site parts and labor warranty





WE RAISE THE BAR. WE SET THE STANDARD.

Meat Grinder



Meat Grinder Dimensions

- A:** 13.7"
- B:** 15.4"
- C:** 22.2"
- D:** 39.5"
- E:** 25.7"
- F:** 46"
- G:** 48.7"

NEMA #: L-15-20-P

Electrical Information (60Hz)				
	Voltage	Phase	hp(kW)	Amps
Standard Voltage	208-240	3	4 (2.98)	13.0-14.0

Shipping Information			
Net Weight	Shipping Weight	Overall Dimensions	Freight Class
198 lbs	223 lbs	41 11/32" (104.14cm) H x 37 13/32" (96.5cm) W x 77 11/64" (198.12cm) D	85



Univex Corporation
www.Univexcorp.com

3 Old Rockingham Rd
 Salem, NH 03079
 United States of America

TEL: 800.258.6358
 INTL TEL: 603.893.6191
 FAX: 800.356.5614
 INTL FAX: 603.893.1249