



PROJECT \_\_\_\_\_

ITEM NO: \_\_\_\_\_

QUANTITY: \_\_\_\_\_

## Stainless Steel Work Tables

### Open Base With Stainless Steel Cross-Bar And Backsplash

#### FEATURES & CONSTRUCTION:

- Top is fabricated with 1-1/2" rounded front edge, flat edge on both ends and 45° slanted backsplash.
- Table front edge formed with hemmed edges to provide extra rigidity and safe to touched finished.
- Reinforced table top with sound deadened hatch channels.
- All exposed welded areas smooth polished to brush finish sanitary #4.
- Adjustable cross-bar secure to leg with aluminum die cast cross brass fitting.
- Welded leg socket for removable table legs.
- All tables shipped K.D. and easily assembled.



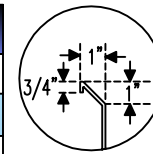
NSF Certified



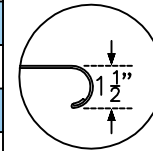
\* 84" tables and longer come with 6 legs

Galvanized Steel Leg Set Series		
W	24"	30"
L	MODEL NO.	
24"	SMTOB-2424G	
30"	SMTOB-2430G	SMTOB-3030G
36"	SMTOB-2436G	SMTOB-3036G
48"	SMTOB-2448G	SMTOB-3048G
60"	SMTOB-2460G	SMTOB-3060G
72"	SMTOB-2472G	SMTOB-3072G
84"	SMTOB-2484G	SMTOB-3084G
96"	SMTOB-2496G	SMTOB-3096G
108"	SMTOB-24108G	SMTOB-30108G
120"	SMTOB-24120G	SMTOB-30120G

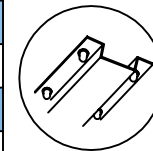
Stainless Steel Leg Set Series		
W	24"	30"
L	MODEL NO.	
24"	SMTOB-2424S	
30"	SMTOB-2430S	SMTOB-3030S
36"	SMTOB-2436S	SMTOB-3036S
48"	SMTOB-2448S	SMTOB-3048S
60"	SMTOB-2460S	SMTOB-3060S
72"	SMTOB-2472S	SMTOB-3072S
84"	SMTOB-2484S	SMTOB-3084S
96"	SMTOB-2496S	SMTOB-3096S
108"	SMTOB-24108S	SMTOB-30108S
120"	SMTOB-24120S	SMTOB-30120S



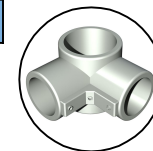
45° Slanted Backsplash



Rolled Rim Front Edge Reinforced with Hemmed Edge



Hatch Channel Supported



Aluminum Die Cast Fitting For Adjustable Cross Bar



1" Adjustable Bullet Feet

#### MATERIAL:

Top: 18 Ga. Stainless Steel - 400 series  
 Leg: 1 5/8" Galvanized Steel Tubing,  
 Galvanized Steel Leg Socket  
 1" Adjustable Plastic Bullet Feet.

#### MATERIAL:

Top: 18 Ga. Stainless Steel - 400 series  
 Leg: 1 5/8" Stainless Steel Tubing,  
 Stainless Steel Leg Socket  
 1" Adjustable Stainless Steel  
 Bullet Feet.



SAPPHIRE MANUFACTURING  
 Tel: 718-543-2111  
 Fax: 718-543-2121

info@sapphiremanufacturing.com  
 WWW.SAPPHIREMANUFACTURING.COM

Rev. 10/17



PROJECT

ITEM NO:

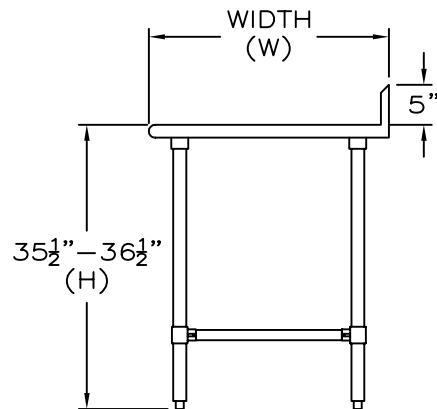
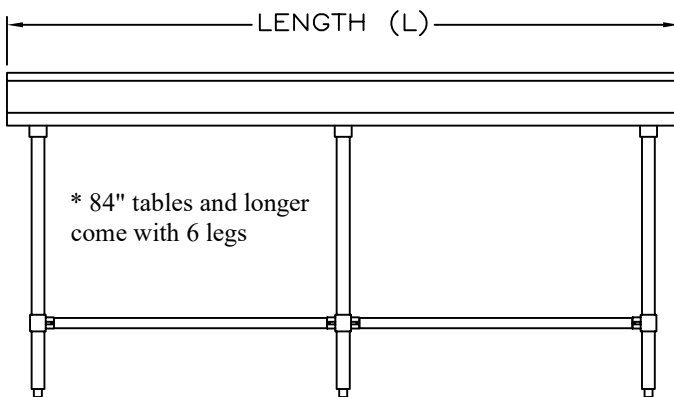
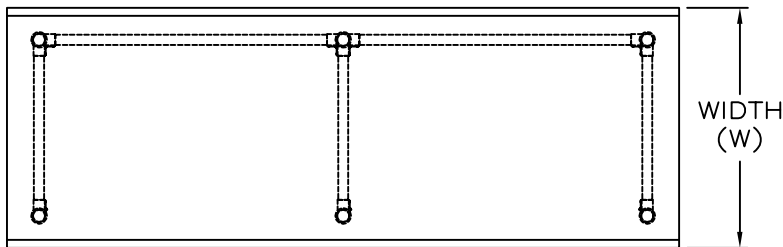
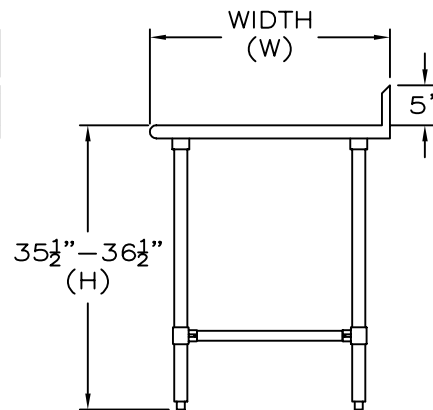
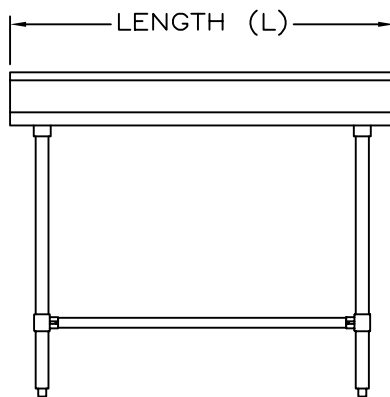
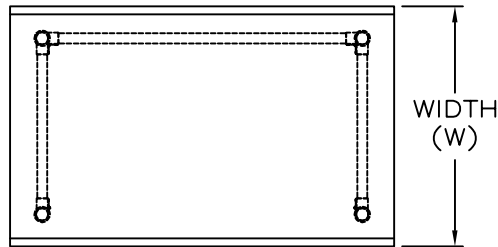
QUANTITY:

## Stainless Steel Work Tables

*Open Base With Stainless Steel Cross-Bar And Backsplash*



NSF Certified



Specifications subject to change without notice. All dimensions are typical (Tolerance 1/2").



SAPPHIRE MANUFACTURING  
Tel: 718-543-2111  
Fax: 718-543-2121

info@sapphiremanufacturing.com  
WWW.SAPPHIREMANUFACTURING.COM

Rev. 10/17