



PROJECT _____

ITEM NO: _____

QUANTITY: _____


1 Compartment Sinks


FEATURES & CONSTRUCTION:


- Top is fabricated with 1-1/2" rounded edge on working sides and 9-3/4" high backsplash
- All exposed welded areas smooth polished to brush finish sanitary #4.
- Welded stainless steel leg socket for removable legs.
- All units shipped K.D., and easily assembled.


MATERIAL:

Top & Bowls: 18 Ga. stainless steel - 304
 Leg set: 1 5/8" galvanized steel tubing, stainless steel leg socket, 1" adjustable plastic bullet beet.
 Optional: Stainless steel legs and bullet feet available for additional charge

	MODEL#	UNIT SIZE			BOWL SIZE			DRAINBOARD	
		L	D	H	A	B	C	LEFT	RIGHT
	SMS1014	15"	19.5"	44-1/4"	10"	14"	11"	0	0
	SMS1216	17"	21.5"		12"	16"			
	SMS1416	19"	21.5"		14"	16"			
	SMS1515	20"	20.5"		15"	15"			
	SMS1620	21"	25.5"		16"	20"			
	SMS1818	23"	23.5"		18"	18"			
	SMS1821	23"	26.5"		18"	21"			
	SMS1824	23"	29.5"		18"	24"			
	SMS2020	25"	25.5"		20"	20"			
SMS2424	29"	29.5"	24"	24"					

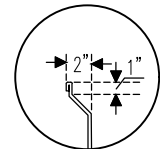
	MODEL#	UNIT SIZE			BOWL SIZE			DRAINBOARD	
		L	D	H	A	B	C	LEFT	RIGHT
	SMS-1416L	30.5"	21.5"	44-1/4"	14"	16"	14"	14"	0
	SMS-1515L	32.5"	20.5"		15"	15"			
	SMS-1620L	40.5"	25.5"		16"	20"			
	SMS-1818L	38.5"	23.5"		18"	18"			
	SMS-1821L	38.5"	26.5"		18"	21"			
	SMS-1824L24	44.5"	29.5"		18"	24"			
	SMS-2020L	42.5"	25.5"		20"	20"			
	SMS-2424L	50.5"	29.5"		24"	24"			

	MODEL#	UNIT SIZE			BOWL SIZE			DRAINBOARD	
		L	D	H	A	B	C	LEFT	RIGHT
	SMS-1416R	30.5"	21.5"	44-1/4"	14"	16"	14"	0	14"
	SMS-1515R	32.5"	20.5"		15"	15"			15"
	SMS-1620R	40.5"	25.5"		16"	20"			18"
	SMS-1818R	38.5"	23.5"		18"	18"			18"
	SMS-1821R	38.5"	26.5"		18"	21"			18"
	SMS-1824R24	44.5"	29.5"		18"	24"			24"
	SMS-2020R	42.5"	25.5"		20"	20"			20"
	SMS-2424R	50.5"	29.5"		24"	24"			24"

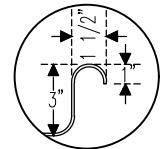
	MODEL#	UNIT SIZE			BOWL SIZE			DRAINBOARD		
		L	D	H	A	B	C	LEFT	RIGHT	
	SMS-1416D	42"	21.5"	44-1/4"	14"	16"	14"	14"	14"	
	SMS-1515D	45"	20.5"		15"	15"			15"	
	SMS-1620D	52"	25.5"		16"	20"			18"	18"
	SMS-1818D	54"	23.5"		18"	18"			18"	18"
	SMS-1821D	54"	26.5"		18"	21"			18"	18"
	SMS-1824D24	66"	29.5"		18"	24"			24"	24"
	SMS-2020D	60"	25.5"		20"	20"			20"	20"
	SMS-2424D	72"	29.5"		24"	24"			24"	24"



NSF STD.2 Certified



45° Slanted Backsplash Reinforced With Hemmed Edge



Rolled Rim Edge Front And Two Sides



Plastic Bullet Feet 1" Adjustable



3-1/2" Drain Basket Included



Rev. 11/20

SAPPHIRE MANUFACTURING
 Tel: 718-543-2111
 Fax: 718-543-2121

info@sapphiremanufacturing.com
 WWW.SAPPHIREMANUFACTURING.COM



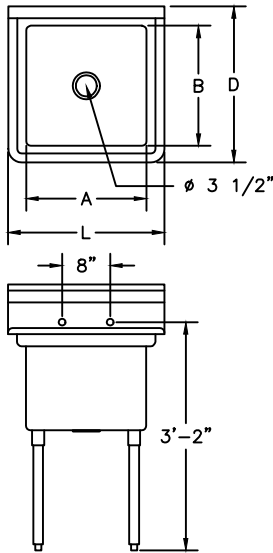
PROJECT _____

ITEM NO: _____

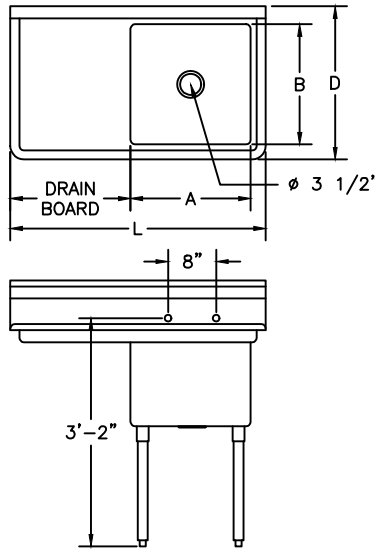
QUANTITY: _____

1 Compartment Sinks

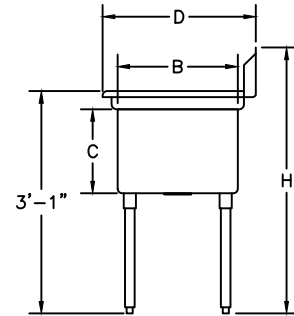
NO DRAIN BOARD



DRAIN BOARD: LEFT

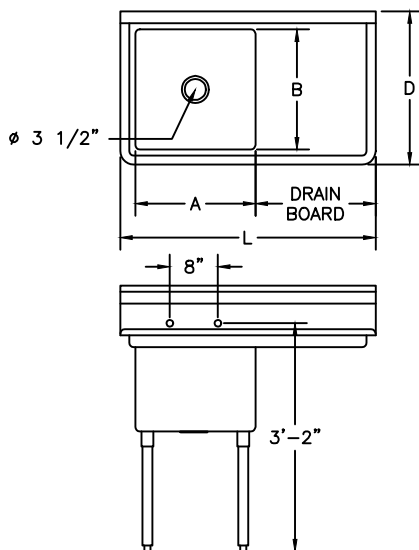


NSF STD.2
Certified

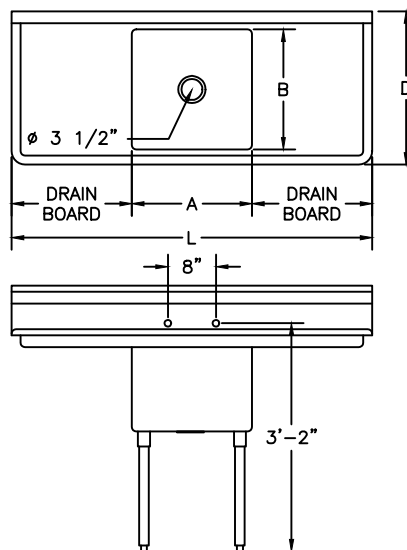


Common End View

DRAIN BOARD: RIGHT



DRAIN BOARD: L & R



Specifications subject to change without notice.

All dimensions are typical (Tolerance 1/2").



Rev. 11/20

SAPPHIRE MANUFACTURING
Tel: 718-543-2111
Fax: 718-543-2121

info@sapphiremanufacturing.com
WWW.SAPPHIREMANUFACTURING.COM