



PROJECT

ITEM NO: \_\_\_\_\_

QUANTITY: \_\_\_\_\_

## Gas Hot Plates

### FEATURES & CONSTRUCTION:

- Stainless steel front and galvanized sides
- Octagon cast iron burner, each 25,000 BTU/hr
- 12"x12" cast iron grate
- Standby pilot for easy start
- Adjustable stainless steel legs
- Full width crumb tray at the bottom
- Durable brass control valve
- Zinc alloy control knobs
- Easy access to pilot valve with adjustment screws
- Easy gas conversion in field, conversion kit included.
- Gas pressure regulator included
- 3/4" NPT rear gas connection
- Packaged with carton box, wood strip and with pallet.
- Leg assemble required.

### MATERIAL:

- Front & Landing: Stainless Steel
- Body Rear & Sides: Galvanized Steel
- Top grate: Cast Iron
- Crumb Tray: Galvanized Steel
- Leg: Stainless Steel (1" Adjustable)



Model: SE-CHP2



Model: SE-CHP4

Model #	BTU/HR	Packing Size	Net Weight	Gross Weight	Unit Size		
					W	D	H
SE-CHP2	50,000	19"x30"x20"	71 lbs.	95 lbs.	12"	27-1/4"	13-5/8"
SE-CHP4	100,000	28"x30"x20"	126 lbs.	154 lbs.	24"		
SE-CHP6	150,000	39"x30"x20"	183lbs.	220 lbs.	36"		

### Installation Instruction

1. A gas pressure regulator supplied with the unit must be installed.  
3/4" gas connection, Natural gas 4.0" W.C. Propane gas 10.0" W.C.
2. An adequate ventilation system is required for commercial cooking equipment
3. These units are manufactured for installation in accordance with National Fuel Gas Code ANSI-Z223.1/NFPA #54 (latest edition).
4. This appliance is intended for commercial installation only and is not intended for home use.
5. Equipment clearance requirement:  
Non-Combustibles: Sides 0" Back 0" Combustible: Side 4" Back 4"
6. All the installation must be performed by qualified technicians.
7. For gas conversion, please refer to conversion instruction in the instruction manual book.

Specifications subject to change without notice.

All dimensions are typical (Tolerance 1/2").



Rev. 09/23

SAPPHIRE MANUFACTURING  
Tel: 718-543-2111  
Fax: 718-543-2121

info@sapphiremanufacturing.com  
WWW.SAPPHIREMANUFACTURING.COM

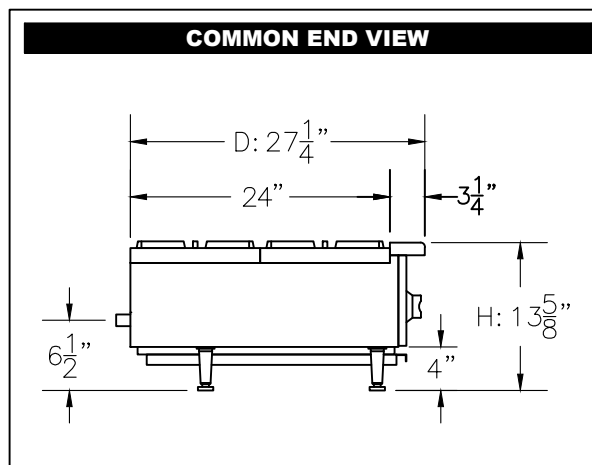
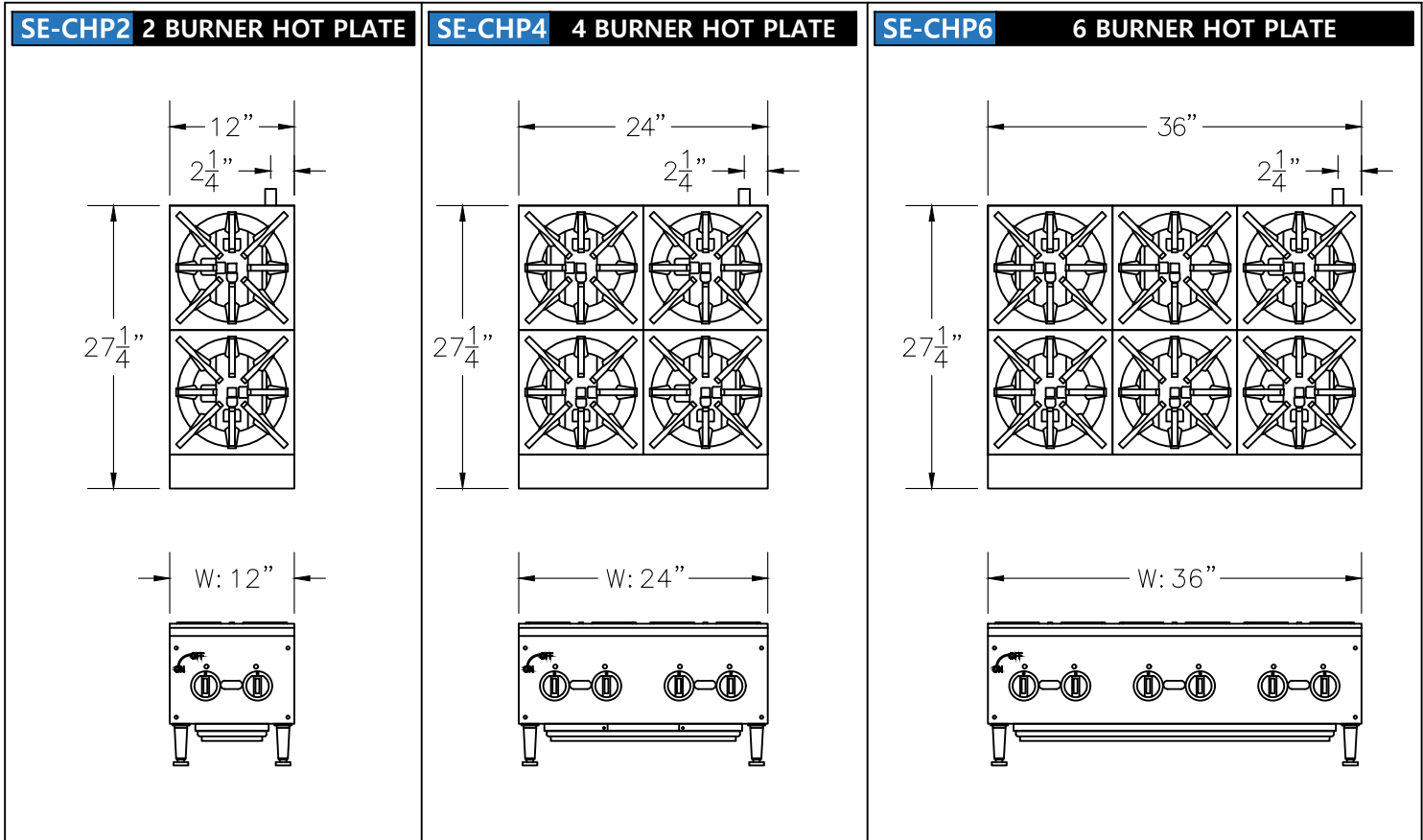


PROJECT

ITEM NO:

QUANTITY:

## Gas Hot Plates



Specifications subject to change without notice. All dimensions are typical (Tolerance 1/2").



Rev. 09/23

**SAPPHIRE MANUFACTURING**  
 Tel: 718-543-2111  
 Fax: 718-543-2121

[info@sapphiremanufacturing.com](mailto:info@sapphiremanufacturing.com)  
[WWW.SAPPHIREMANUFACTURING.COM](http://WWW.SAPPHIREMANUFACTURING.COM)