



# Lowerator® Enclosed Mobile Adjustube® II Plate Dispensers

Models  ML-A  HML-A

PRODUCT:

QUANTITY:

ITEM:

## Designed Smart

### Bid Specifications

Mobile enclosed, field adjustable Dish Dispenser features heavy-duty stainless steel frame construction. The dispensing mechanism in APW Wyott® Lowerators® uses springs attached to a sliding support bar that rides both inside and outside the tube. This design feature prevents a stack of dishware from sticking in the down position, and releasing unexpectedly. All contact edges are protected by heavy-gauge stainless steel with black rubber perimeter bumpers. Available in heated or unheated models. Unit has 4" polyurethane swivel casters, two with brakes.

### Applications

Mobile enclosed cabinet-style Dish Dispenser utilizes Adjustube® self-leveling tubes that are field adjustable for weight and diameter. Holds and dispenses plates, saucers, or bowls. Hole cutouts in base align lower end of tubes in position to prevent movement during transit. Field adjustable for varying weight loads up to 100 lbs. per tube. Available in two and three-stack units, heated and unheated models.



Model: Lowerator® Enclosed Mobile Adjustube® Dispensers

## APW Wyott Design Features

- Promotes sanitary conditions.
- Provides finished appearance.
- Easy handling of dishware.
- Maximum stability and rigidity of unit.
- Dispensing head is stainless steel with three sets of reinforced guide holes for smooth, even operation
- Dispensing tubes are removable for cleaning.

## Reliability backed by APW Wyott's Warranty

All APW Wyott Lowerators are backed by a 1-year limited warranty and a 1-year on-site labor warrant.

•Certified by the following agencies:



## Models

- ML2-9A     ML2-12A     ML2-9A/12A
- ML3-9A     ML3-12A
- ML3-9A/9A/12A
  
- HML2-9A     HML2-12A     HML2-9A/12A
- HML3-9A     HML3-12A
- HML3-9A/9A/12A     ML3-9A/12A/12A

### OPTIONS:

Add options suffix number below to model number

- 5P 5" polyurethane casters, two with brakes
- 208/240V units are available

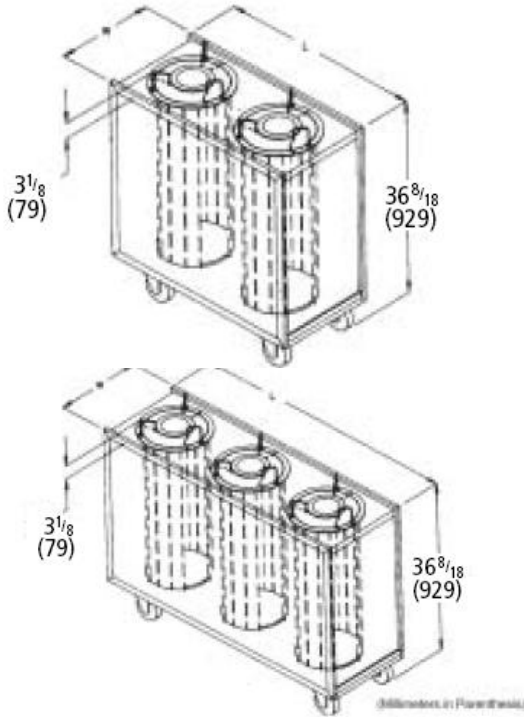
See reverse side for product specifications.



PRODUCT:

QUANTITY:

ITEM:



## PRODUCT SPECIFICATION

### Construction:

Stainless steel frame, tubes, side panels, and top. Black rubber perimeter bumper. 4" rubber swivel casters.

### Electrical Information:

Each heated tube has individual heaters and controls (thermostat, on/off switch, light). Tube thermostats adjustable from 100° to 160°F. Units provided with 5 ft, 3-wire, 14 gauge power cord with NEMA5-15 plug. 208/240V units available.

FOB: Allen, TX 75013

Freight Class: 85

Units are 36 9/16"H. Each tube has a vertical capacity of 24". 208/240V units available.

Model Number Unheated	Model Number Heated	Description	Dimensions L X W (in.)	Shipping Weight	Net Weight	Total Watts (Heated)	Total Amps (Heated)	Maximum Capacity (lbs.)
ML2-9A	HML2-9A	2 tubes (each 3 1/2" to 9 1/8" china)	30 3/8 x 15 3/8	104 / *128	74 / *98	840	6.4	214
ML2-12A	HML2-12A	2 tubes (each 9 1/4" to 12" china)	32 7/8 x 17	110 / *134	80 / *104	1000	8.4	338
ML2-9A/12A	HML2-9A/12A	2 tubes (one 3 1/2" to 9 1/8" china) (one 9 1/4" to 12" china)	32 7/8 x 17	108 / *132	78 / *102	920	7.3	276
ML3-9A	HML3-9A	3 tubes (each 3 1/2" to 9 1/8" china)	40 1/4 x 18 7/8	151 / *175	111 / *135	1260	9.3	321
ML3-12A	HML3-12A	3 tubes (each 9 1/4" to 12" china)	48 1/4 x 18 7/8	158 / *182	118 / *142	1500	12.3	507
ML3-9A/9A/12A	HML3-9A/9A/12A	3 tubes (two 3 1/2" to 9 1/8" china) (one 9 1/4" to 12" china)	48 1/4 x 18 7/8	155 / *179	115 / *139	1340	10.3	383
ML3-9A/12A/12A	HML3-9A/12A/12A	3 tubes (two 9 1/4" to 12" china)	48 1/4 x 18 7/8	156 / *180	116 / *140	1420	11.3	445

\*APW Wyott reserves the right to modify specifications or discontinue models without incurring obligation.