

351FCPG30L

Cooking Performance Group FCPG30 Liquid Propane 30 lb. Countertop Fryer - 53,000 BTU



Item #: 351FCPG30L Qty: _____

Project: _____

Approval: _____ Date: _____

Features

- Includes two chrome-plated fry baskets
- Piezo ignition and pilot light with a flame failure device system
- 53,000 BTU and Millivolt controls
- Heavy-duty access door and adjustable feet
- Stainless steel burners

Technical Data

Width	17 Inches
Depth	29 Inches
Height	29 1/4 Inches
Burner Style	Tube
Capacity	30 lb.
Compliances	Commonwealth of Massachusetts
Control Type	Millivolt
Features	Spark / Piezo Ignition
Gas Inlet Size	3/4 Inches
Installation Type	Countertop

Certifications



ETL US



ETL Sanitation



3/4" Gas
Connection

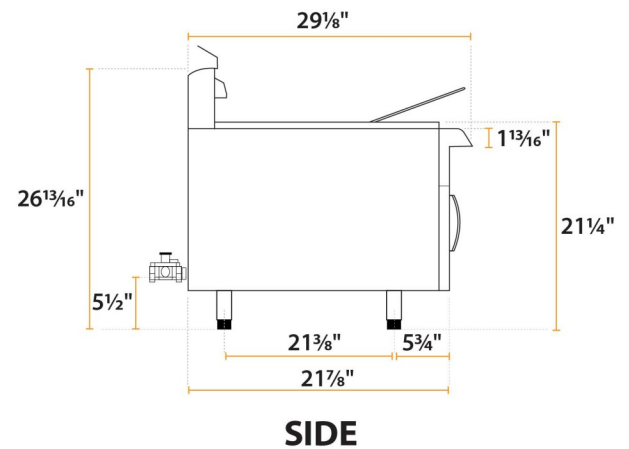
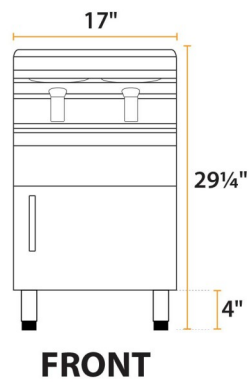
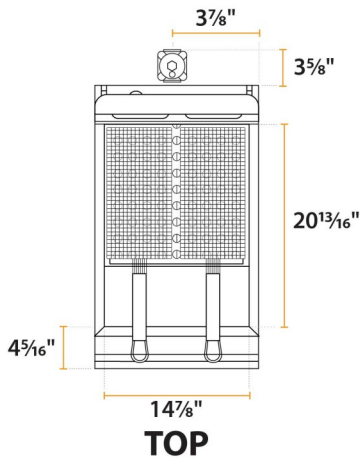
Cooking Performance Group FCPG30 Liquid Propane 30 lb. Countertop Fryer - 53,000 BTU



Technical Data

Number of Burners	4 Burners
Number of Fry Pots	1 Fry Pot
Power Type	Liquid Propane
Temperature Range	200 - 385 Degrees F
Temperature Settings	Adjustable
Total BTU	53000 BTU
Type	Gas Countertop Fryers

Plan View



Cooking Performance Group FCPG30 Liquid Propane 30 lb. Countertop Fryer - 53,000 BTU



Notes & Details

An excellent choice for concession stands, snack bars, or even sandwich shops, this Cooking Performance Group liquid propane countertop fryer boasts 53,000 BTU of heating power with a 30 lb. oil capacity so that you can conveniently round out your menu with a variety of fried foods!

The stainless steel tube style tank makes this unit ideal for frying chicken, onion rings, wings, and other heavily-battered foods, while the Millivolt control allows you to adjust the temperature up to 385 degrees Fahrenheit, putting total control in your hands.

The Cooking Performance Group FCPG30 30 lb. countertop fryer features a reliable flame failure device to give you the peace of mind you deserve, while the stainless steel construction and attachable oil drain pipe give you the long-lasting performance and easy cleanup that you crave! It also comes with twin chrome-plated fryer baskets with cool-grip handles for added operator safety and ease of use.

⚠ WARNING: This product can expose you to chemicals including lead, which are known to the State of California to cause cancer, birth defects, or other reproductive harm. For more information, go to www.p65warnings.ca.gov.