



PROJECT \_\_\_\_\_

ITEM NO: \_\_\_\_\_

QUANTITY: \_\_\_\_\_

## 3 Compartment Budget Sinks

### FEATURES & CONSTRUCTION:

- Top is fabricated with 1-1/2" rounded edge on working sides and 7-1/4" high backsplash
- All exposed welded areas smooth polished to brush finish sanitary #4.
- Welded stainless steel leg socket for removable legs.
- All units shipped K.D. and easily assembled.

### MATERIAL:

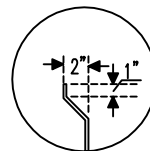
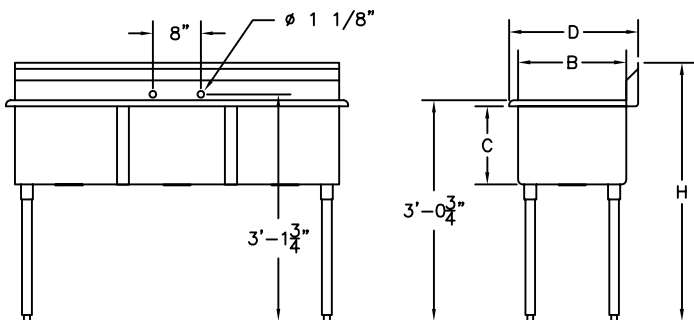
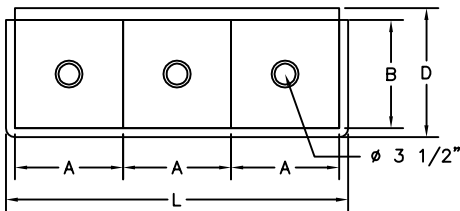
Top & Bowls: 18 Ga. stainless steel - 430

Leg set: 1 5/8" type 201 stainless steel tubing,  
Stainless steel leg socket, 1" adjustable  
plastic bullet feet.

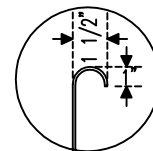
Optional: Stainless steel bullet feet available for  
additional charge



MODEL#	UNIT SIZE			BOWL SIZE		
	L	D	H	A	B	C
SMSQ1214-3	36"	17.5"	43"	12"	14"	13"
SMSQ1221-3	39"	24.5"		12"	21"	
SMSQ1621-3	51"	24.5"		16"	21"	
SMSQ1818-3	57"	21.5"		18"	18"	
SMSQ1821-3	57"	24.5"		18"	21"	
SMSQ2421-3	75"	24.5"		24"	21"	
SMSQ2424-3	75"	27.5"		24"	24"	



45° Slanted  
Backsplash



Rolled Rim Edge  
Front And Two  
Sides



Plastic Bullet  
Feet  
1" Adjustable

Specifications subject to change without notice.

All dimensions are typical (Tolerance 1/2").



SAPPHIRE MANUFACTURING  
Tel: 718-543-2111  
Fax: 718-543-2121

info@sapphiremanufacturing.com  
WWW.SAPPHIREMANUFACTURING.COM

Rev. 12/16