



PROJECT

ITEM NO:

QUANTITY:

# Stainless Steel Work Tables

## Galvanized Undershelf Series



NSF Certified

### FEATURES & CONSTRUCTION:

- Top is fabricated with 1-1/2" rounded edges on both working side and flat edge on both ends.
- Table top edges formed with hemmed edges to provide extra rigidity and safe to touched finished.
- Reinforced table top with sound deadened hatch channels.
- Adjustable undershelf secure to leg with aluminum die cast clamp.
- All exposed welded areas smooth polished to brush finish sanitary #4.
- Welded leg socket for removable table legs.
- All tables shipped K.D. and easily assembled.



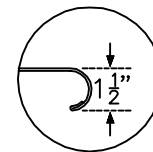
\* 84" tables and longer come with 6 legs

### MATERIAL:

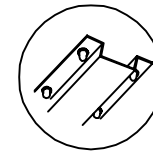
- TOP: 18 Gauge Stainless Steel - 400 series  
 SHELF: 18 Gauge Galvanized Steel  
 LEG: 1 5/8" Galvanized Steel Tubing, Galvanized Leg Socket, 1" Adjustable Plastic Bullet Feet.

### Galvanized Undershelf Series

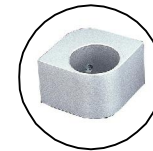
W	14"	18"	24"	30"	36"
L	MODEL NO.				
24"	SMT-1424G	SMT-1824G	SMT-2424G	SMT-3024G	
30"	SMT-1430G	SMT-1830G	SMT-2430G	SMT-3030G	
36"	SMT-1436G	SMT-1836G	SMT-2436G	SMT-3036G	SMT-3636G
48"	SMT-1448G	SMT-1848G	SMT-2448G	SMT-3048G	SMT-3648G
60"	SMT-1460G	SMT-1860G	SMT-2460G	SMT-3060G	SMT-3660G
72"	SMT-1472G	SMT-1872G	SMT-2472G	SMT-3072G	SMT-3672G
84"	SMT-1484G	SMT-1884G	SMT-2484G	SMT-3084G	SMT-3684G
96"	SMT-1496G	SMT-1896G	SMT-2496G	SMT-3096G	SMT-3696G
108"	SMT-14108G	SMT-18108G	SMT-24108G	SMT-30108G	SMT-36108G
120"	SMT-14120G	SMT-18120G	SMT-24120G	SMT-30120G	SMT-36120G



Rolled Rim Edge Front And Rear Reinforced with Hemmed Edge



Hatch Channel Supported



Aluminum Die Cast Clamp For Adjustable Under Shelf



Plastic Bullet Feet 1" Adjustable



SAPPHIRE MANUFACTURING  
 Tel: 718-543-2111  
 Fax: 718-543-2121

info@sapphiremanufacturing.com  
 WWW.SAPPHIREMANUFACTURING.COM

Rev. 11/16



PROJECT

ITEM NO:

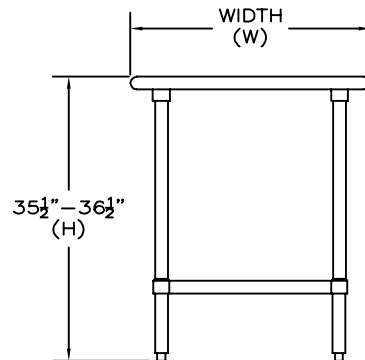
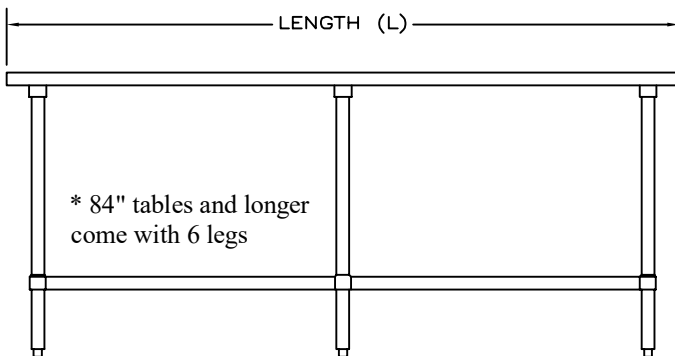
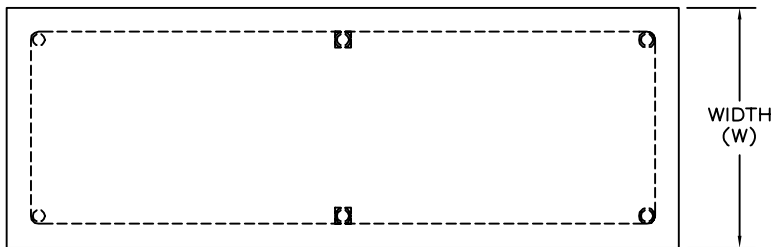
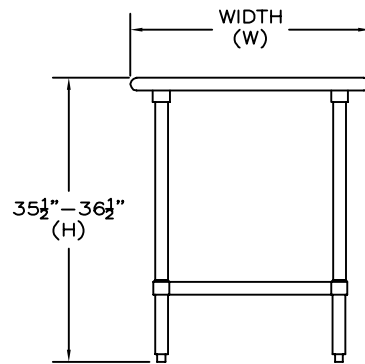
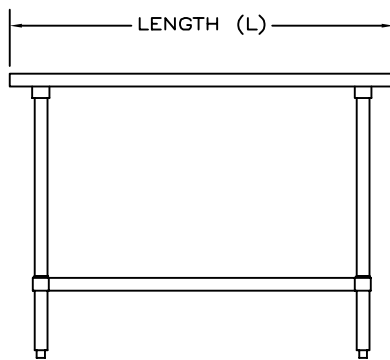
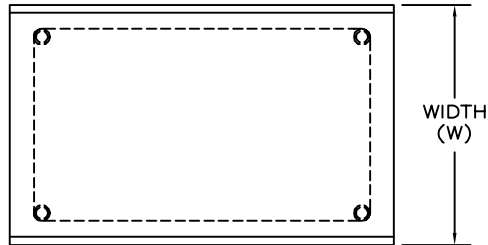
QUANTITY:

## Stainless Steel Work Tables

### Galvanized Undershelf Series



NSF Certified



Specifications subject to change without notice. All dimensions are typical (Tolerance 1/2").



SAPPHIRE MANUFACTURING  
Tel: 718-543-2111  
Fax: 718-543-2121

info@sapphiremanufacturing.com  
WWW.SAPPHIREMANUFACTURING.COM

Rev. 11/16