



PROJECT _____

ITEM NO: _____

QUANTITY: _____

2 Compartment Sinks


FEATURES & CONSTRUCTION:

- Top is fabricated with 1-1/2" rounded edge on working sides and 10-1/2" high backsplash
- All exposed welded areas smooth polished to brush finish sanitary #4.
- Welded stainless steel leg socket for removable legs.
- All units shipped K.D. and easily assembled.

Top & Bowls: 18 Ga. stainless steel - 304

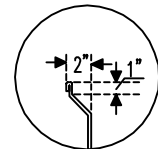
Leg set: 1 5/8" galvanized steel tubing, Stainless steel leg socket, 1" adjustable plastic bullet feet.

Optional: Stainless steel legs and bullet feet available for additional charge

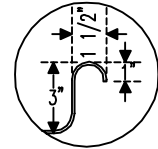
	MODEL#	UNIT SIZE			BOWL SIZE			DRAINBOARD	
		L	D	H	A	B	C	LEFT	RIGHT
			SMS1014-2	25"	19.5"	45"	10"	14"	11"
SMS1216-2	29"	21.5"	12"	16"					
SMS1416-2	33"	21.5"	14"	16"					
SMS1515-2	35"	20.5"	15"	15"					
SMS1620-2	37"	25.5"	16"	20"					
SMS1818-2	41"	23.5"	18"	18"					
SMS1821-2	41"	26.5"	18"	21"					
SMS1824-2	41"	29.5"	18"	24"					
SMS2020-2	45"	25.5"	20"	20"					
SMS2424-2	53"	29.5"	24"	24"					




NSF Certified




45° Slanted Backsplash Reinforced With Hemmed Edge




Rolled Rim Edge Front And Two Sides

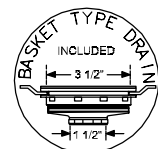
	MODEL#	UNIT SIZE			BOWL SIZE			DRAINBOARD	
		L	D	H	A	B	C	LEFT	RIGHT
			SMS-2-1416L	44.5"	21.5"	45"	14"	16"	14"
SMS-2-1515L	47.5"	20.5"	15"	15"					
SMS-2-1620L	52.5"	25.5"	16"	20"					
SMS-2-1818L	56.6"	23.5"	18"	18"					
SMS-2-1821L	56.6"	26.5"	18"	21"					
SMS-2-1824L24	62.5"	29.5"	18"	24"					
SMS-2-2020L	62.5"	25.5"	20"	20"					
SMS-2-2424L	74.5"	29.5"	24"	24"					

	MODEL#	UNIT SIZE			BOWL SIZE			DRAINBOARD	
		L	D	H	A	B	C	LEFT	RIGHT
			SMS-2-1416R	44.5"	21.5"	45"	14"	16"	14"
SMS-2-1515R	47.5"	20.5"	15"	15"					
SMS-2-1620R	52.5"	25.5"	16"	20"					
SMS-2-1818R	56.6"	23.5"	18"	18"					
SMS-2-1821R	56.6"	26.5"	18"	21"					
SMS-2-1824R24	62.5"	29.5"	18"	24"					
SMS-2-2020R	62.5"	25.5"	20"	20"					
SMS-2-2424R	74.5"	29.5"	24"	24"					



Plastic Bullet Feet 1" Adjustable

	MODEL#	UNIT SIZE			BOWL SIZE			DRAINBOARD	
		L	D	H	A	B	C	LEFT	RIGHT
			SMS-2-1416D	56"	21.5"	45"	14"	16"	14"
SMS-2-1515D	60"	20.5"	15"	15"					
SMS-2-1620D	68"	25.5"	16"	20"					
SMS-2-1818D	72"	23.5"	18"	18"					
SMS-2-1821D	72"	26.5"	18"	21"					
SMS-2-1824D24	84"	29.5"	18"	24"					
SMS-2-2020D	80"	25.5"	20"	20"					
SMS-2-2424D	96"	29.5"	24"	24"					



SAPPHIRE MANUFACTURING
Tel: 718-543-2111
Fax: 718-543-2121

info@sapphiremanufacturing.com
WWW.SAPPHIREMANUFACTURING.COM

Rev. 5/19



PROJECT _____

ITEM NO: _____

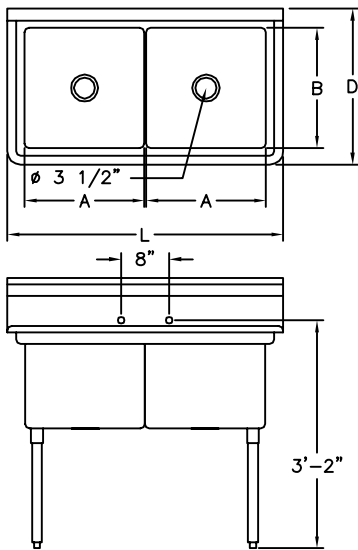
QUANTITY: _____

2 Compartment Sinks

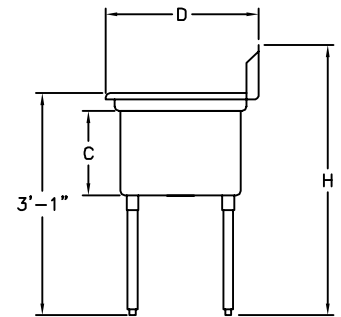
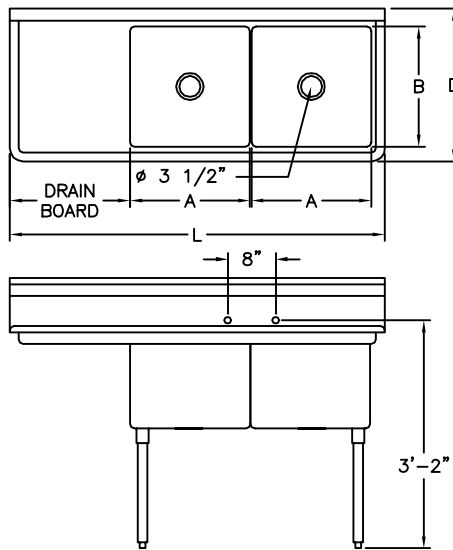


NSF Certified

NO DRAIN BOARD

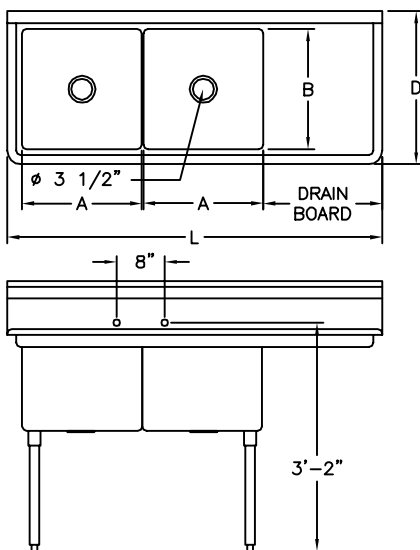


DRAIN BOARD: LEFT

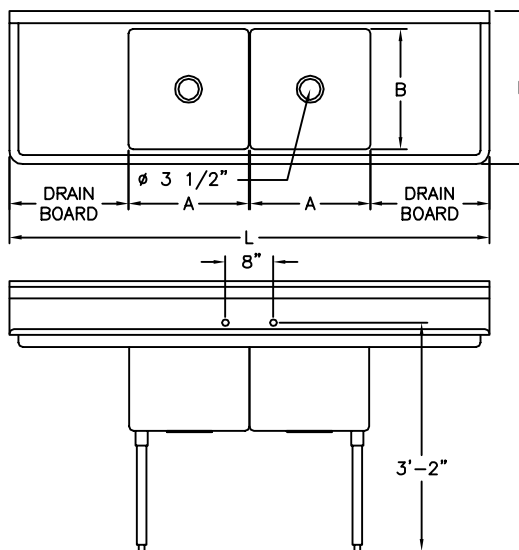


Common End View

DRAIN BOARD: RIGHT



DRAIN BOARD: L & R



Specifications subject to change without notice.

All dimensions are typical (Tolerance 1/2").



SAPPHIRE MANUFACTURING
Tel: 718-543-2111
Fax: 718-543-2121

info@sapphiremanufacturing.com
WWW.SAPPHIREMANUFACTURING.COM

Rev. 5/19